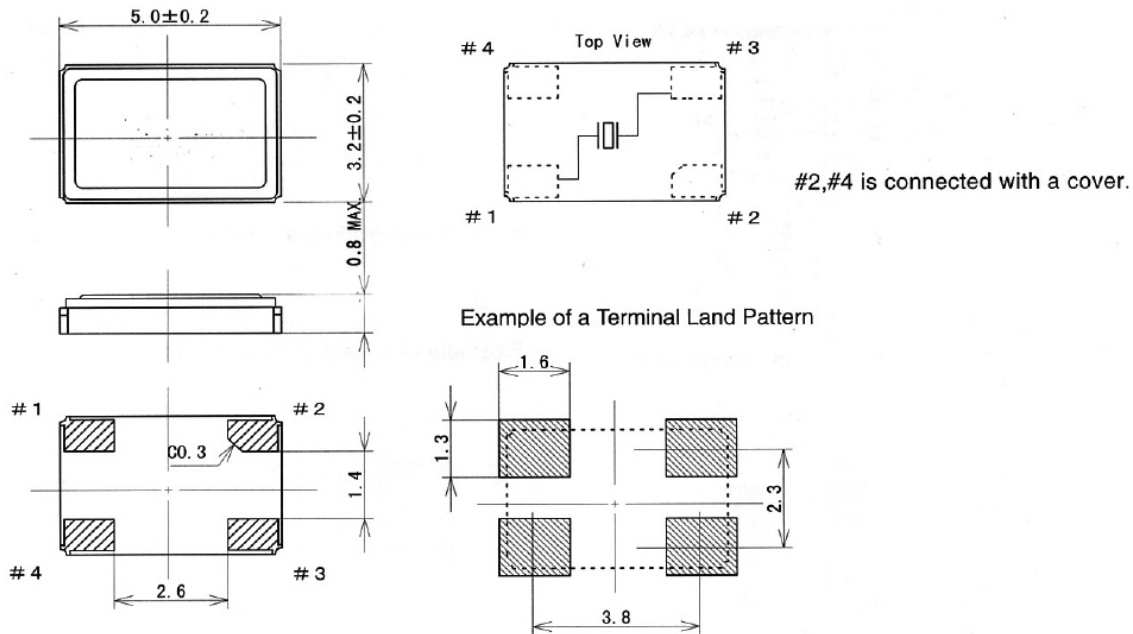


ELECTRICAL SPECIFICATIONS / PART NUMBERING GUIDE

PARAMETERS	CONDITION	HE-MCC-53	UNIT
FREQUENCY RANGE		12.6 MHz ~ 48 MHz	MHz
OSCILLATION MODE		FUNDAMENTAL	
FREQUENCY TOLERANCE	at 25°C	±30 PPM (tighter tolerances to ±10 PPM optional)	PPM
FREQUENCY STABILITY	at 25°C	±50 PPM (tighter tolerances to ±10 PPM optional)	PPM
OPERATING TEMPERATURE		-0°C to +70°C (-40°C to +85°C optional)	°C
STORAGE TEMPERATURE		-40°C to +85°C (-55°C to +125°C optional)	°C
LOAD CAPACITANCE (C _L)		Customer Specified	pF
DRIVE LEVEL	8.192 MHz - 100 MHz	100 μW max.	μW
EQUIVALENT SERIES RESISTANCE		40 Ω Maximum	

HEC PART NUMBER	- TEMPERATURE SPEC	- FREQUENCY	-CAPACITANCE LOAD	-OPTIONS (STABILITY)
HE-MCC-53	BLANK = -0°C to +70°C E = -40°C to +85°C	ENTER FREQUENCY	ENTER CAPACITANCE LOAD	-BLANK = Standard stability -XXPPM = Enter stability
EXAMPLE:	HE-MCC-53E-25.00-16			

MECHANICAL DRAWING



Dimension in mm